

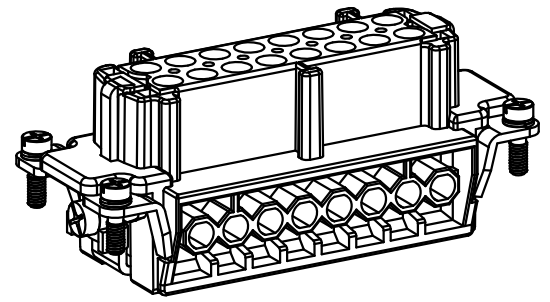
面板安装开孔图  
Panel cut out

技术参数:

- 插芯:
- 插针数: 16+PE
  - 额定电流: 16A
  - 额定电压: 500V
  - 额定脉冲电压: 6kV
  - 污染等级: 3
  - 依据UL/CSA的额定电压: 600V
  - 绝缘阻抗:  $>10^{10}\Omega$
  - 材料: 聚碳酸酯
  - 颜色: RAL 7032 (浅灰色)
  - 温度范围:  $-40^{\circ}\text{C} - +125^{\circ}\text{C}$
  - 依据UL 94的阻燃等级: V0
  - 可插拔次数:  $>500$
- 插针:
- 接线方式: 螺钉连接
  - 材料: 铜合金
  - 表面处理: 镀银
  - 接触电阻:  $\leq 1\text{m}\Omega$
  - 线径范围:  $0.14-2.5\text{mm}^2(26-14\text{ AWG})$
  - 拧紧/检测力矩:  $0.5\text{N}\cdot\text{m}$
  - 剥线长度: 7.0mm

Technical specification:

- Insters:
- No. of contact: 16+PE
  - Rated current: 16A
  - Rated voltage: 500V
  - Rated impulse voltage: 6kV
  - Pollution degree: 3
  - Rated voltage acc.to UL/CSA: 600V
  - Insulation resistance:  $>10^{10}\Omega$
  - Material: polycarbonate
  - Colour: RAL 7032(light grey)
  - Temperature range:  $-40^{\circ}\text{C} - +125^{\circ}\text{C}$
  - Flammability acc.to UL 94: V0
  - Mating cycles:  $>500$
- Contacts:
- Terminal: screw terminal
  - Material: copper alloy
  - Surface: hard-silver plated
  - Contact resistance:  $\leq 1\text{m}\Omega$
  - Wire gauge:  $0.14-2.5\text{mm}^2(26-14\text{ AWG})$
  - Tightening/Test torque:  $0.5\text{N}\cdot\text{m}$
  - Stripping length: 7.0mm



|               |              |                  |         |         |                 |   |            |              |   |                   |
|---------------|--------------|------------------|---------|---------|-----------------|---|------------|--------------|---|-------------------|
|               |              |                  |         |         | 表面处理<br>Finish  | -   |            |              | 图号<br>Drawing No.                           | -                 |
|               |              |                  |         |         | 材料<br>Material  | -   |            |              | 产品代号<br>Part Code                           | HE-016-F 17-32    |
| 标记<br>Mark    | 处数<br>Number | 变更描述/Description |         |         | 签名<br>Signature | 日期<br>Date                                    |            |              | 产品料号<br>Part No.                            | 1220160210002     |
| 绘图<br>Drawn   | BQ LUO       | 姓名/Name          | 日期/Date | 姓名/Name | 日期/Date         | 比例<br>Scale                                   | 版本<br>REV. | 重量<br>Weight | 数量<br>Qty.                                  | 产品名称<br>Part Name |
| 审核<br>Checked | P RAO        | 姓名/Name          | 日期/Date | 姓名/Name | 日期/Date         | 1:1   | V1.0       | 85.2g        | -   | -                 |
| 工艺<br>Process | -            | 批准<br>Approved   | YY LIN  | 日期/Date | 18.10.2010      | All Dimensions in mm<br>Original Size DIN A 4 |            |              | 厦门唯恩电气有限公司<br>XIAMEN WAIN ELECTRICAL CO.LTD |                   |