

4

3

2

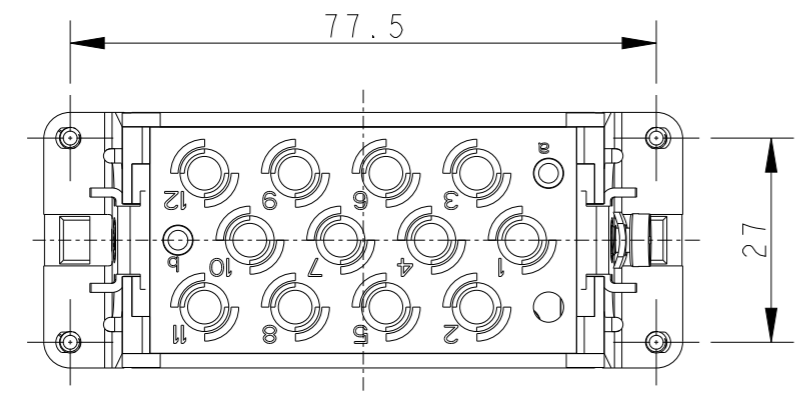
1

THIS DRAWING IS UNPUBLISHED. RELEASED FOR PUBLICATION 20

© COPYRIGHT 20 BY - ALL RIGHTS RESERVED.

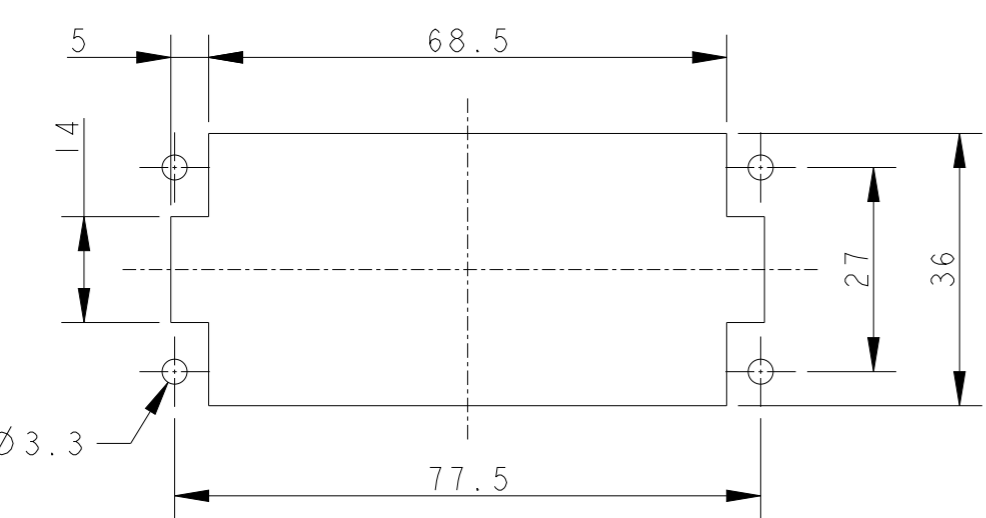
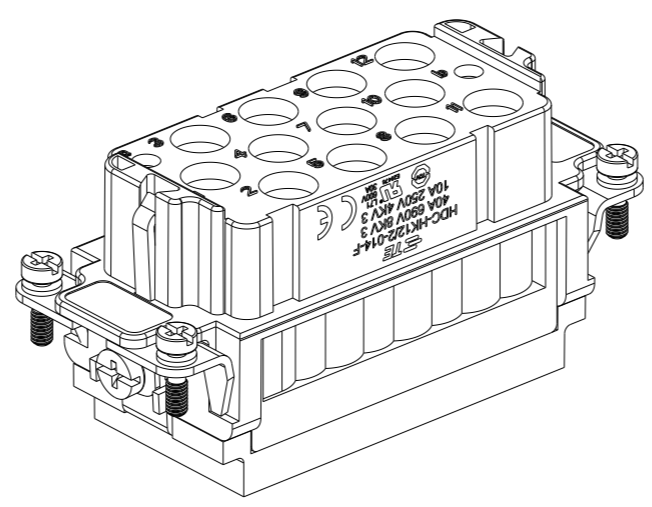
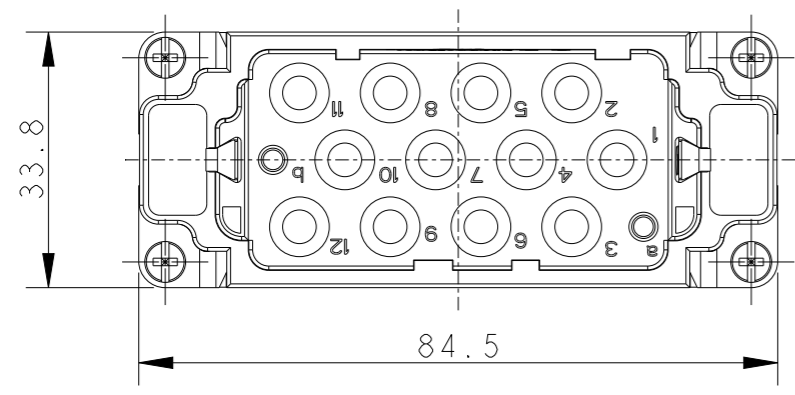
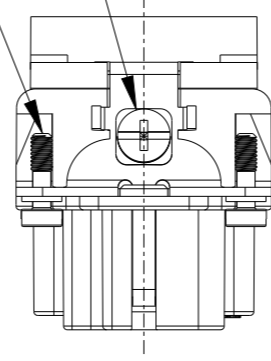
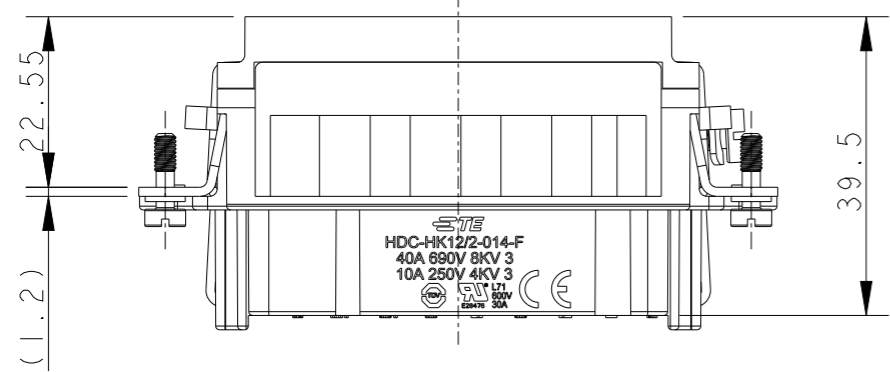
REVISIONS

| P | LTR | DESCRIPTION | DATE | DWN | APVD |
|---|-----|---------------|-----------|-----|------|
| | A | INITIAL | 22DEC2014 | DW | CW |
| | B | ECR-15-018481 | 23FEB2016 | DW | CW |
| | C | ECR-21-111798 | 10SEP2021 | WQR | CW |



M4 SCREW
RECOMMENDED TIGHTENING TORQUE 1.2Nm

4-M3 SCREW
RECOMMENDED TIGHTENING TORQUE 0.5Nm



PANEL CUT FOR INSERTS FOR USE WITHOUT HOODS/ HOUSINGS


NOTES:

- TECHNICAL CHARACTERISTICS:
 INSULATION MATERIAL: PC
 RATED VOLTAGE: POWER: 690 V; SIGNAL: 250V
 RATED CURRENT: POWER: 40 A; SIGNAL: 10A
 INSULATION RESISTANCE: >=400MΩ
 RATED IMPULSE VOLTAGE: POWER: 8 KV; SIGNAL: 4 KV
 POLLUTION DEGREE: 3
 CONTACT RESISTANCE: POWER: <=1 mΩ; SIGNAL: <=5 mΩ
 FLAMMABILITY: UL94V-0
 MATING CYCLES: 500 CYCLES
 OPERATION TEMPERATURE: -40-+125°C
 WIRE RANGE: POWER: 1-6 mm² (18-10 AWG)
 SIGNAL: 0.14-2.5 mm² (26-14 AWG)
 CONTACT TYPE: CRIMP CONTACT
 CONTACT NEED TO BE ORDERED SEPARATELY.
 (ORDER No. REFER TO DRAWING:
 T20200X20XX000 FOR SIGNAL; T20400X20XX000 FOR POWER)

注释:

- 技术参数:
 绝缘材料: PC
 额定电压: 电源: 690 V; 信号: 250 V
 额定电流: 电源: 40 A; 信号: 10 A
 绝缘电阻: >=400MΩ
 额定脉冲电压: 电源: 8 KV; 信号: 4 KV
 污染等级: 3
 接触电阻: 电源: <=1 mΩ; 信号: <=5 mΩ
 阻燃等级: UL94V-0
 插拔次数: 500次
 工作温度: -40-+125°C
 接线范围: 电源: 1-6 mm² (18-10 AWG)
 信号: 0.14-2.5 mm² (26-14 AWG)
 接线类型: 冷压接
- 端子需要单独订购。
 (订货号参考图面: 信号端子: T20200X20XX000; 电源端子: T20400X20XX000)

| | |
|-------------------|-------------------------------|
| T2120142201-000 | HK12/2-014-F HK12/2-014 母插 |
| PART NUMBER 料号 | PART DESCRIPTION 描述 |

| | | | | | |
|---|--|--------------------------------|--|---|--|
| THIS DRAWING IS A CONTROLLED DOCUMENT. | | DWN 22DEC2014 David Wang | |  TE Connectivity | |
| DIMENSIONS: mm | | CHK 22DEC2014 Chris Wang | | | |
| TOLERANCES UNLESS OTHERWISE SPECIFIED: | | APVD 22DEC2014 Xiang Xu | | | |
| 0 PLC ±- 1 PLC ±- 2 PLC ±- 3 PLC ±- 4 PLC ±- ANGLES ±- | | NAME HK12/2-014-F | | | |
| MATERIAL | | PRODUCT SPEC 108-137053 | | SIZE | |
| | | APPLICATION SPEC 114-137053 | | CAGE CODE | |
| | | WEIGHT | | DRAWING NO | |
| | | Customer Drawing | | A300779 | |
| | | | | RESTRICTED TO | |
| | | | | SCALE 1:1 | |
| | | | | SHEET 1 OF 1 | |
| | | | | REV C | |