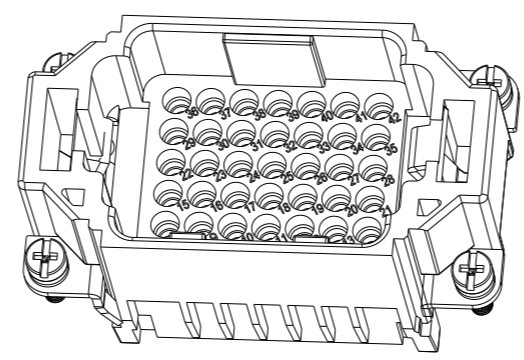
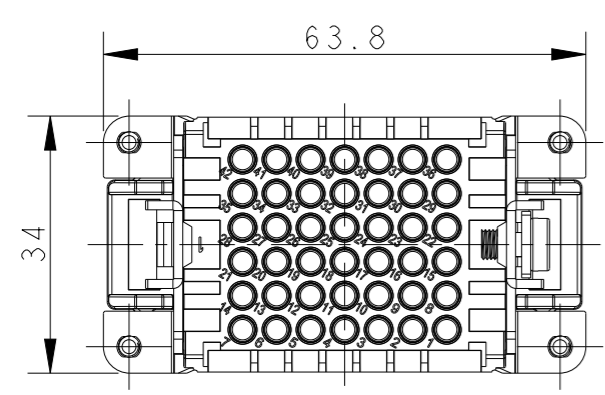


THIS DRAWING IS UNPUBLISHED. RELEASED FOR PUBLICATION 20
 © COPYRIGHT 20 BY - ALL RIGHTS RESERVED.

REVISIONS

| P | LTR | DESCRIPTION | DATE | DWN | APVD |
|----|-----|-----------------|-----------|-----|------|
| A | | INITIAL RELEASE | 19MAR2015 | DL | CW |
| B | | ECR-15-013292 | 24SEP2015 | DL | CW |
| B1 | | ECR-16-018198 | 12FEB2017 | QY | CW |
| C | | ECR-21-105887 | 26JUL2021 | BS | CW |

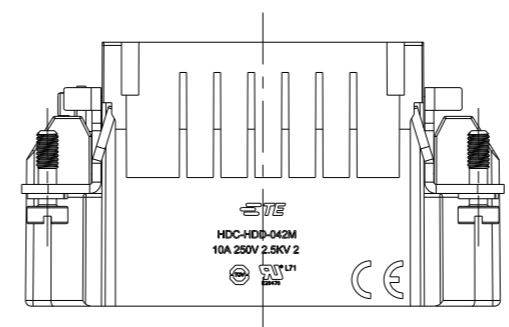
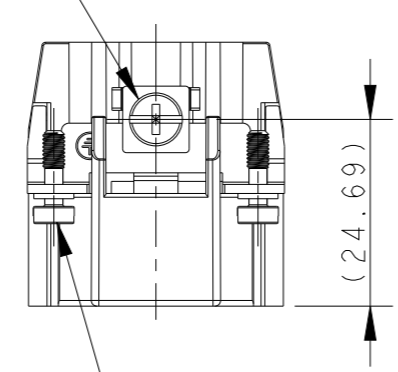
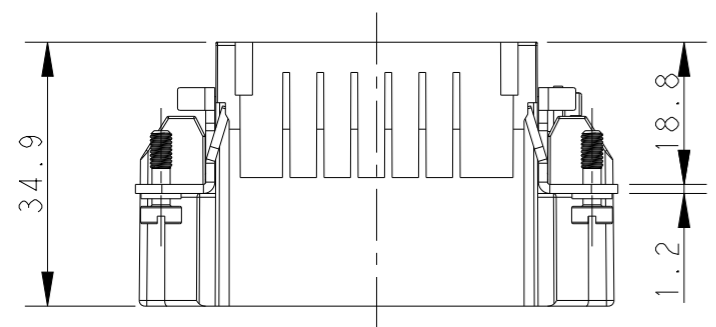


M4 THREAD RECOMMENDED
 TIGHTENING TORQUE 1.2Nm
 M4螺丝, 推荐锁紧力矩1.2Nm

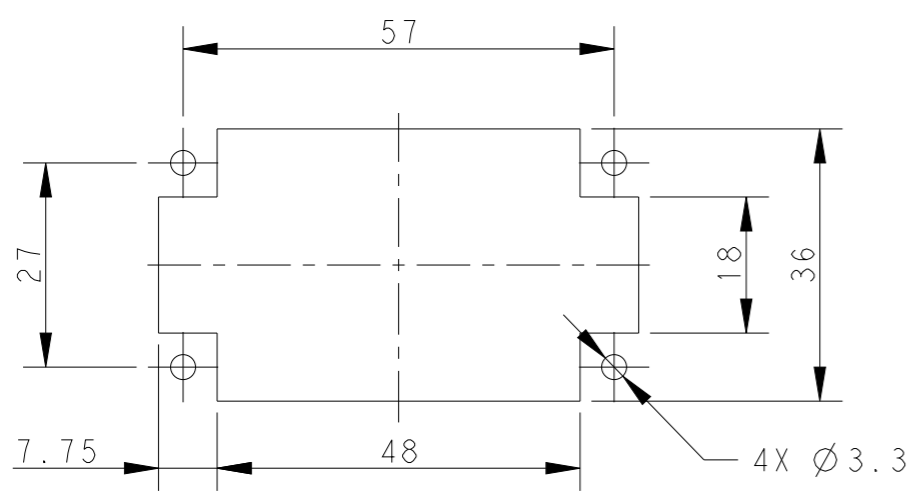
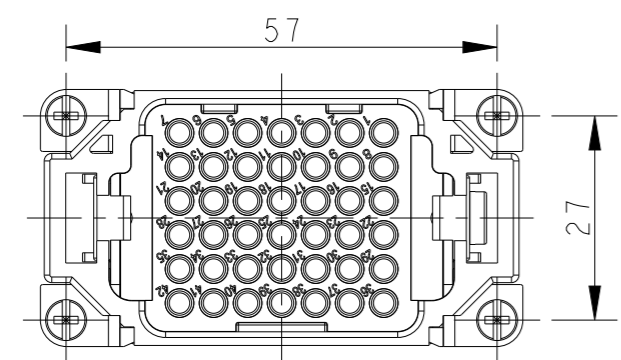
TYPE-1:T2030422101-000 TE LOGO
 类型-1:T2030422101-000 TE LOGO

NOTES:
 1. TECHNICAL CHARACTERISTICS:
 INSULATION MATERIAL: PC
 RATED VOLTAGE: 250 V
 RATED CURRENT: 10 A
 INSULATION RESISTANCE: $\geq 400M\Omega$
 RATED IMPULSE VOLTAGE: 2.5 KV
 POLLUTION DEGREE: 2
 FLAMMABILITY: UL94V-0
 MATING CYCLES: 500 CYCLES
 WIRE RANGE: 0.14-2.5 mm² (26-14 AWG)
 CONTACT TYPE: CRIMP CONTACT
 2. CONTACT NEED TO BE ORDERED SEPARATELY.
 (ORDER No. REFER TO DRAWING: T20200X10XX000)

注释:
 1. 技术参数:
 绝缘材料: PC
 额定电压: 250V
 额定电流: 10A
 绝缘电阻: $\geq 400M\Omega$
 额定脉冲电压: 2.5 KV
 污染等级: 2
 阻燃等级: UL94V-0
 插拔次数: 500次
 接线范围: 0.14-2.5 mm² (26-14 AWG)
 接线类型: 冷压接
 2. 端子需要单独订购.
 (订货号参考图面: T20200X10XX000)



4X M3 THREAD RECOMMENDED
 TIGHTENING TORQUE 0.5Nm
 4X M3螺丝, 推荐锁紧力矩0.5Nm



PANEL CUT OUT FOR INSERTS FOR USING
 WITHOUT HOODS/HOUSINGS
 不使用防护外壳时芯件的安装开孔图

| | | | | | | | | |
|---|--|------------------|------------|-----------|---------------------|------------------|------------------|------------|
| THIS DRAWING IS A CONTROLLED DOCUMENT. | | DWN | DAVID LI | 18MAR2015 | TE Connectivity | NAME | | HDD-042-M |
| DIMENSIONS: | | CHK | CHRIS WANG | 18MAR2015 | | PRODUCT SPEC | | 108-137043 |
| TOLERANCES UNLESS OTHERWISE SPECIFIED: | | APVD | XU XIANG | 18MAR2015 | | APPLICATION SPEC | | 114-137043 |
| mm | | | | | | SIZE | CAGE CODE | DRAWING NO |
| 0 PLC ±- 1 PLC ±- 2 PLC ±- 3 PLC ±- 4 PLC ±- ANGLES ±- FINISH - | | MATERIAL | | | WEIGHT | A3 | ©-T2030422101000 | |
| | | CUSTOMER DRAWING | | | SCALE | 1:1 | SHEET | 1 OF 2 |
| | | | | | | | REV | C |

THIS DRAWING IS UNPUBLISHED.

RELEASED FOR PUBLICATION

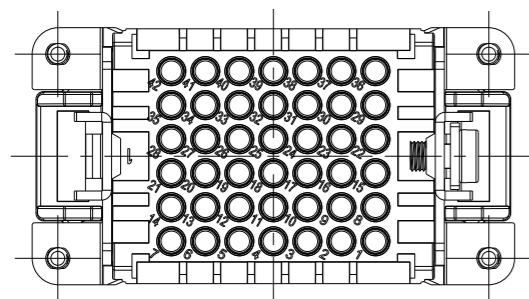
20

© COPYRIGHT 20 BY -

ALL RIGHTS RESERVED.

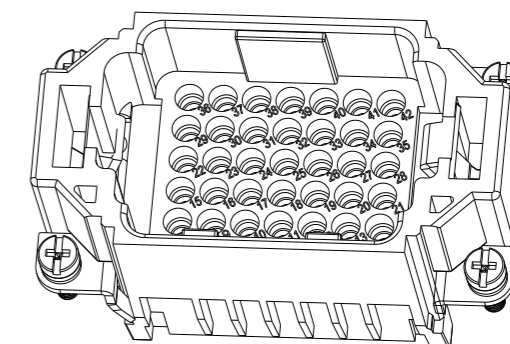
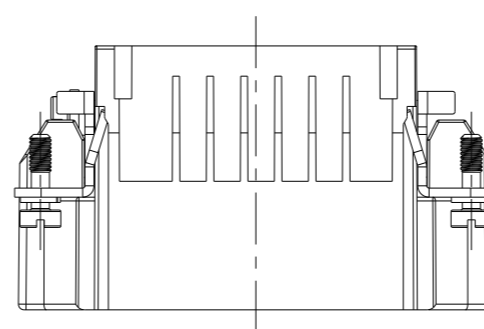
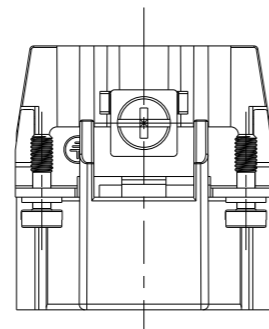
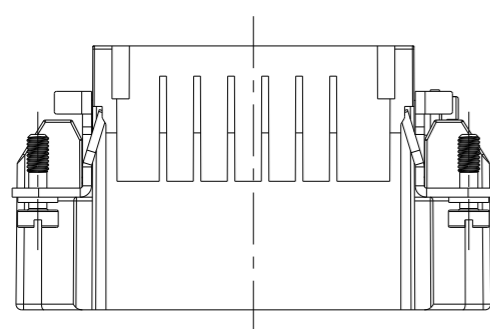
REVISIONS

| P | LTR | DESCRIPTION | DATE | DWN | APVD |
|---|-----|-------------|------|-----|------|
| - | - | SEE SHEET 1 | - | - | - |
| | | | | | |
| | | | | | |

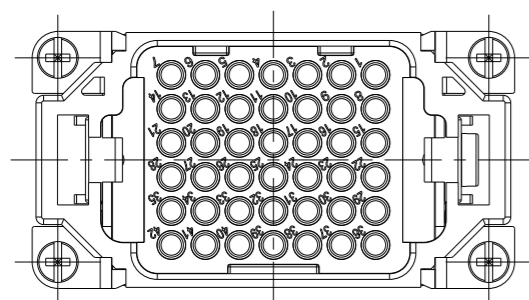


ALL DIMENSIONS ARE SAME AS TYPE 1,
EXCEPT THOSE DEFINED IN THIS TYPE.
除了在本类型中定义的尺寸外, 其它尺寸同类型 1


NOTES:
SEE SHEET 1
注释:
见页 1



TYPE-2:T2030422101-001 STAINLESS STEEL SCREW,NO LOGO
类 型-2:T2030422101-001 不锈钢螺丝,无LOGO



| | | | |
|--------------------|-------------------------|--|-----------------|
| T2030422101-001 | HDD-042-M | HDD-042 MALE INSERT, STAINLESS STEEL SCREW,NO LOGO HDD-042公插,不锈钢螺丝,无LOGO | TYPE-2 类 型-2 |
| T2030422101-000 | HDD-042-M | HDD-042 MALE INSERT HDD-042公插 | TYPE-1 类 型-1 |
| PART NUMBER 料 号 | PART DESCRIPTION 描 述 | | TYPE 类 型 |

| | | | | |
|---|--|--------------------------------|---|-----------------|
| THIS DRAWING IS A CONTROLLED DOCUMENT. | | DWN DAVID LI 18MAR2015 |  TE Connectivity | |
| DIMENSIONS: mm | | CHK CHRIS WANG 18MAR2015 | | |
| TOLERANCES UNLESS OTHERWISE SPECIFIED: | | APVD XU XIANG 18MAR2015 | NAME HDD-042-M | |
| 0 PLC ±- 1 PLC ±- 2 PLC ±- 3 PLC ±- 4 PLC ±- ANGLES ±- | | PRODUCT SPEC 108-137043 | RESTRICTED TO | |
| MATERIAL - | | APPLICATION SPEC 114-137043 | SIZE A3 | CAGE CODE - |
| FINISH - | | WEIGHT - | DRAWING NO ©-T2030422101000 | |
| | | CUSTOMER DRAWING | SCALE 1:1 | SHEET 2 OF 2 |
| | | | REV C | |