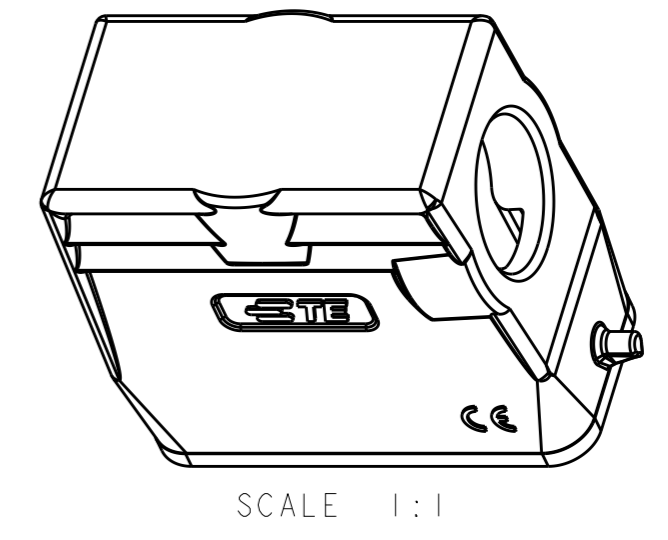
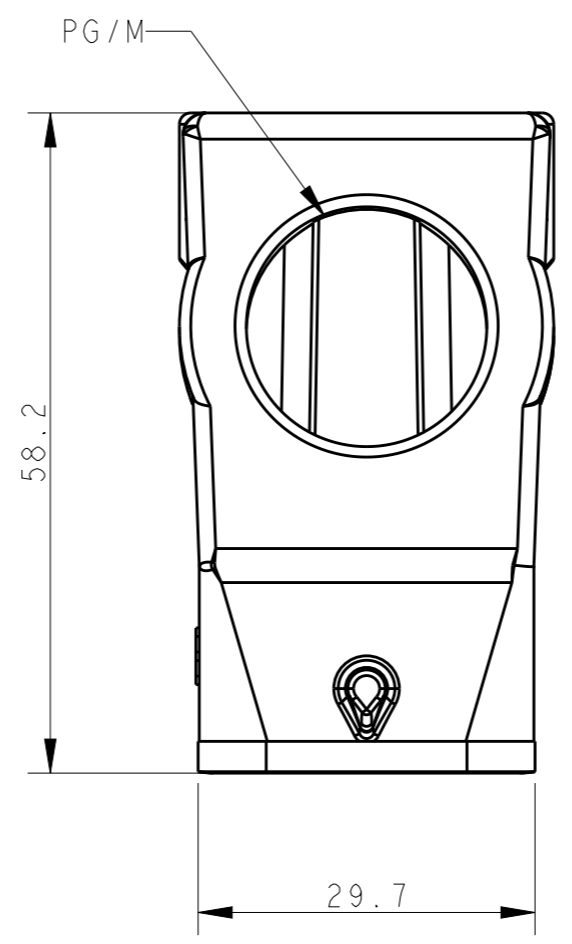
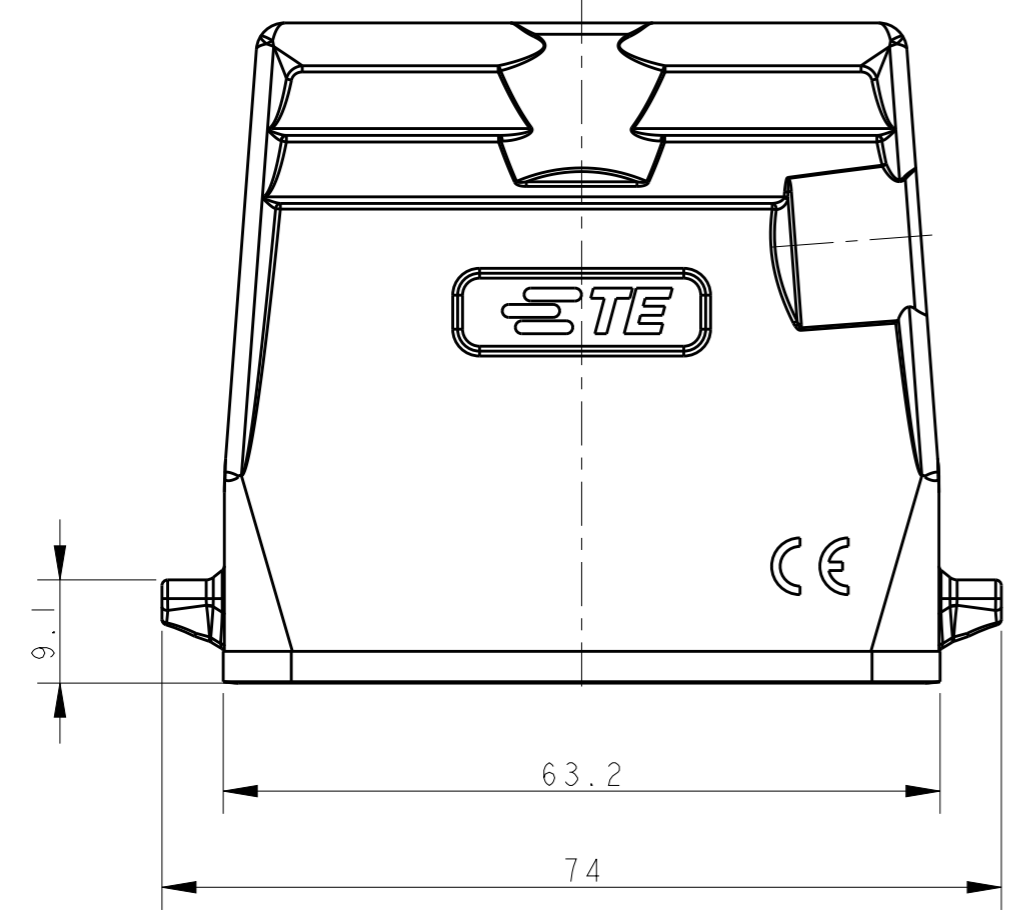


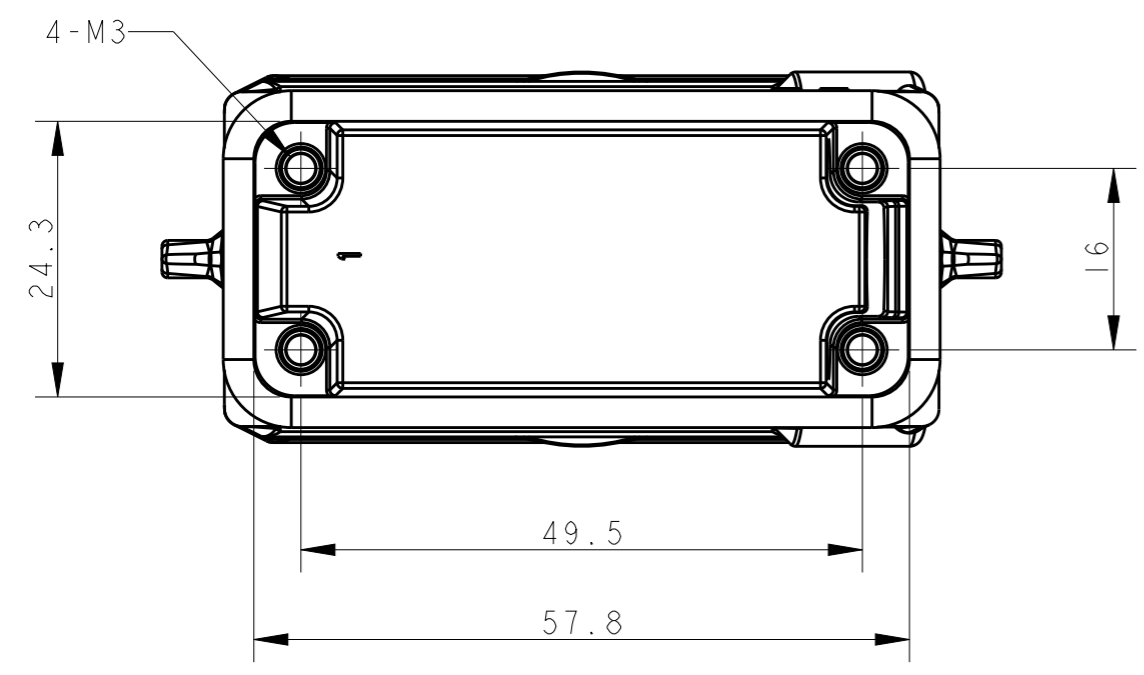
THIS DRAWING IS UNPUBLISHED. RELEASED FOR PUBLICATION 20  
 © COPYRIGHT 20 BY - ALL RIGHTS RESERVED.

REVISIONS					
P	LTR	DESCRIPTION	DATE	DWN	APVD
	A	INITIAL RELEASE	05MAY2015	DL	CW
	B	ECR-20-008424	14DEC2020	BS	CW




NOTES:  
 1. TECHNICAL CHARACTERISTICS:  
 BODY MATERIAL: DIE CAST ALUMINIUM ALLOY  
 SURFACE TREATMENT: POWDER-COATED, GRAY  
 DEGREE OF PROTECTION: IP65 (MATED)

注释:  
 1. 技术参数:  
 主体材料: 铝合金  
 表面处理: 粉末喷涂, 灰色  
 防护等级: IP65(配合)



T1319100116-000	H10A-TS-PG16	PG16
T1319100120-000	H10A-TS-M20	M20
T1319100121-000	H10A-TS-PG21	PG21
T1319100125-000	H10A-TS-M25	M25
ASSEMBLY PART NUMBER	ASSEMBLY PART DESCRIPTION	PG/M

THIS DRAWING IS A CONTROLLED DOCUMENT.		DWN 05MAY2015 DAVID LI	 TE Connectivity NAME H10A-TS-PG/M				
DIMENSIONS: mm		CHK 05MAY2015 CHRIS WANG					
TOLERANCES UNLESS OTHERWISE SPECIFIED:		APVD 05MAY2015 XU XIANG					
0 PLC ±- 1 PLC ±- 2 PLC ±- 3 PLC ±- 4 PLC ±- ANGLES ±-		PRODUCT SPEC 108-137010					
MATERIAL -		APPLICATION SPEC 114-137010	SIZE A3	CAGE CODE -	DRAWING NO C-T13191001XX000	RESTRICTED TO	
FINISH -		WEIGHT -	CUSTOMER DRAWING		SCALE 3:2	SHEET 1 OF 1	REV B